

LOC	DIST	REV	DESCRIPTION	DATE	BY	APPD
GP	00					
		05	REARRANGED WAFERS	20DEC2004	LS	JJC
		06	ADDED -3 AND NOTE 6	19JAN2006	LS	GG
		A	REV PER ECO-06-005380	14MAR2006	BC	GG

- 1 HOUSING: LCP, UL94V0, COLOR: BLACK.
CONTACT: PHOSPHOR BRONZE.
POST: BRASS WIRE
- 2 CONTACT: 0.76µm MIN GOLD IN PAD CONTACT AREA, 1.27µm MIN TIN-LEAD ON PCB TAIL OVER 1.27µm MIN. NICKEL OVER ALL.
POST: 1.27µm MIN NICKEL PLATED.
- 3 MANUFACTURING TOLERANCE FOR $\phi 0.46 \pm 0.05$ DIAMETER FINISHED HOLE WITH SnPB PLATING:
DRILLED HOLE = $\phi 0.55 \pm 0.02$
COPPER PLATING = 0.025-0.050
Sn PB PLATING = 0.0038-0.0124
OR MANUFACTURING TOLERANCE FOR $\phi 0.475 \pm 0.05$ DIAMETER FINISHED HOLE WITHOUT SnPB PLATING:
DRILLED HOLE = $\phi 0.55 \pm 0.02$
COPPER PLATING = 0.025-0.050
- 4 SEE TABLE 1 FOR INTERCONNECTIONS TO BACKPLANE CONNECTOR.
- 5 CONTACT: 0.76µm MIN GOLD IN PAD CONTACT AREA, 1.27µm MIN TIN ON PCB TAIL OVER 1.27µm MIN. NICKEL OVER ALL.
POST: 1.27µm MIN NICKEL PLATED.
- 6 CONTACT: 1.27µm MIN GOLD IN PAD CONTACT AREA, 1.27µm MIN TIN-LEAD ON PCB TAIL OVER 1.27µm MIN. NICKEL OVER ALL.
POST: 1.27µm MIN NICKEL PLATED.

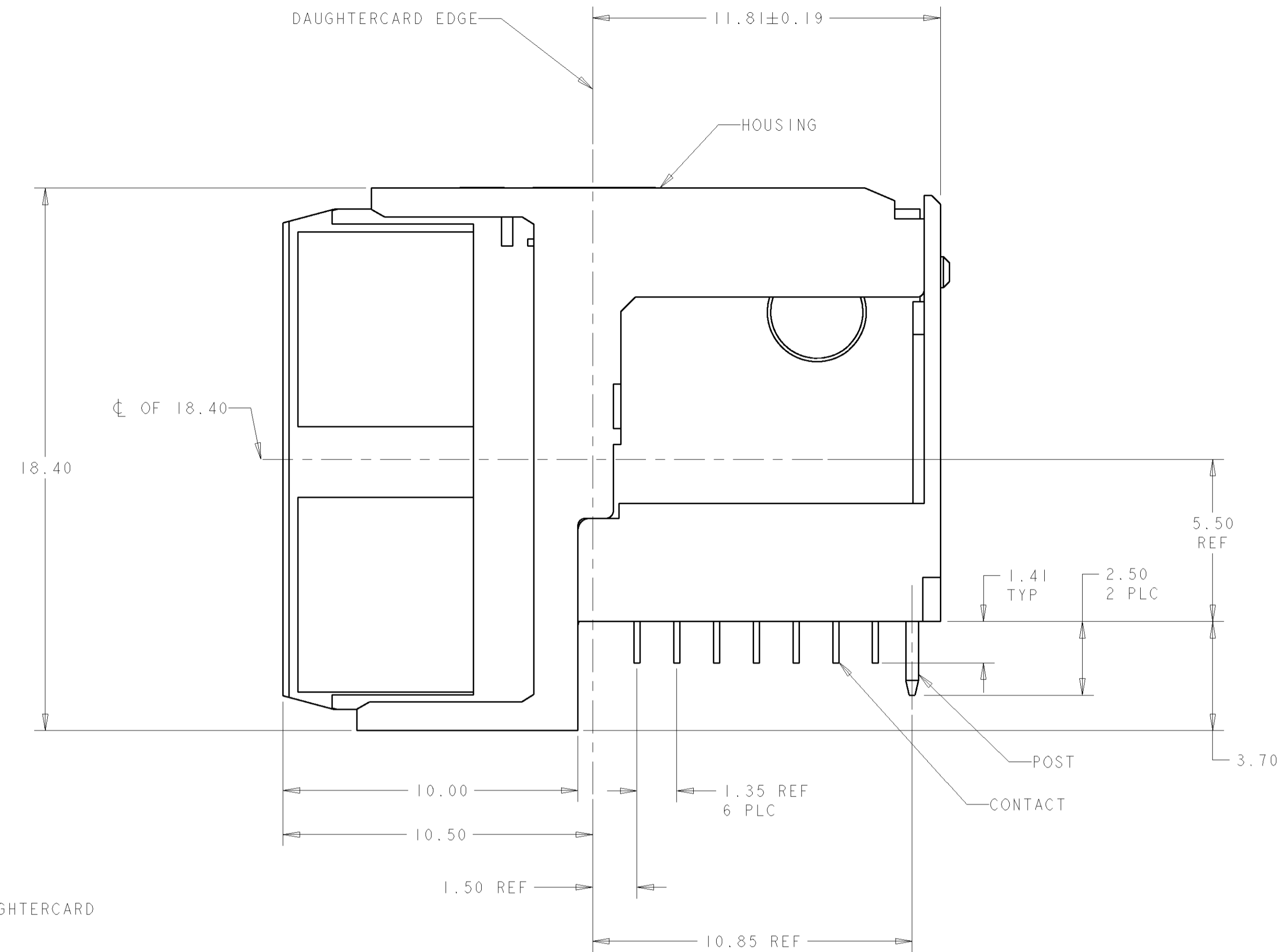
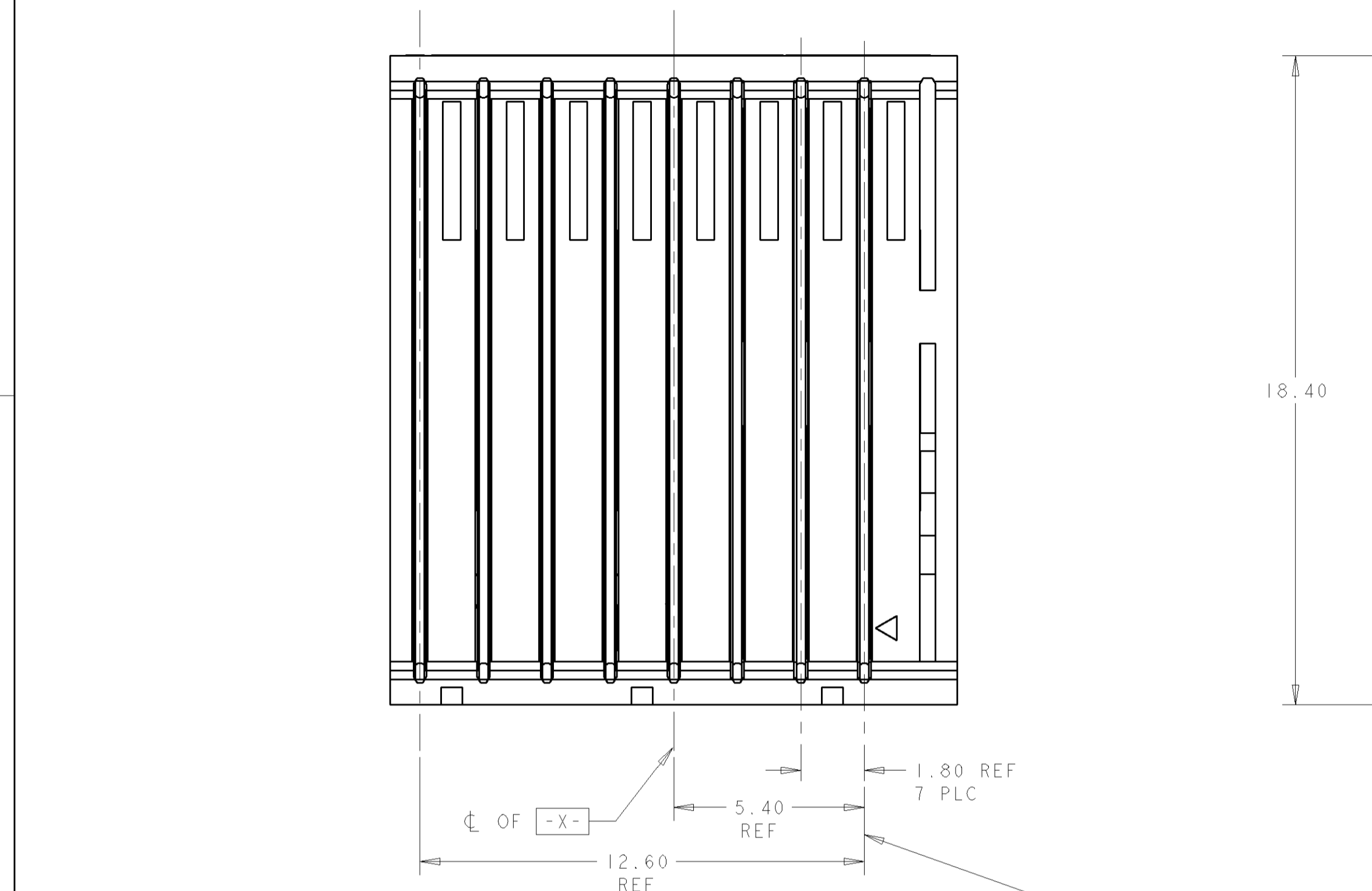


TABLE 1
INTERCONNECTIONS WITH BACKPLANE CONNECTOR 1410186

TYPICAL INTERCONNECTIONS FOR COLUMN (WAFER): 8		
CONTACT USAGE	DAUGHTERCARD CONNECTOR PIN	BACKPLANE CONNECTOR PIN
SIGNAL PAIR	bx, cx	cx, dx
SIGNAL PAIR	ex, fx	gx, hx
GROUND	ax, dx, gx, (ALL COMMONED)	ax, bx, ex, fx, ix

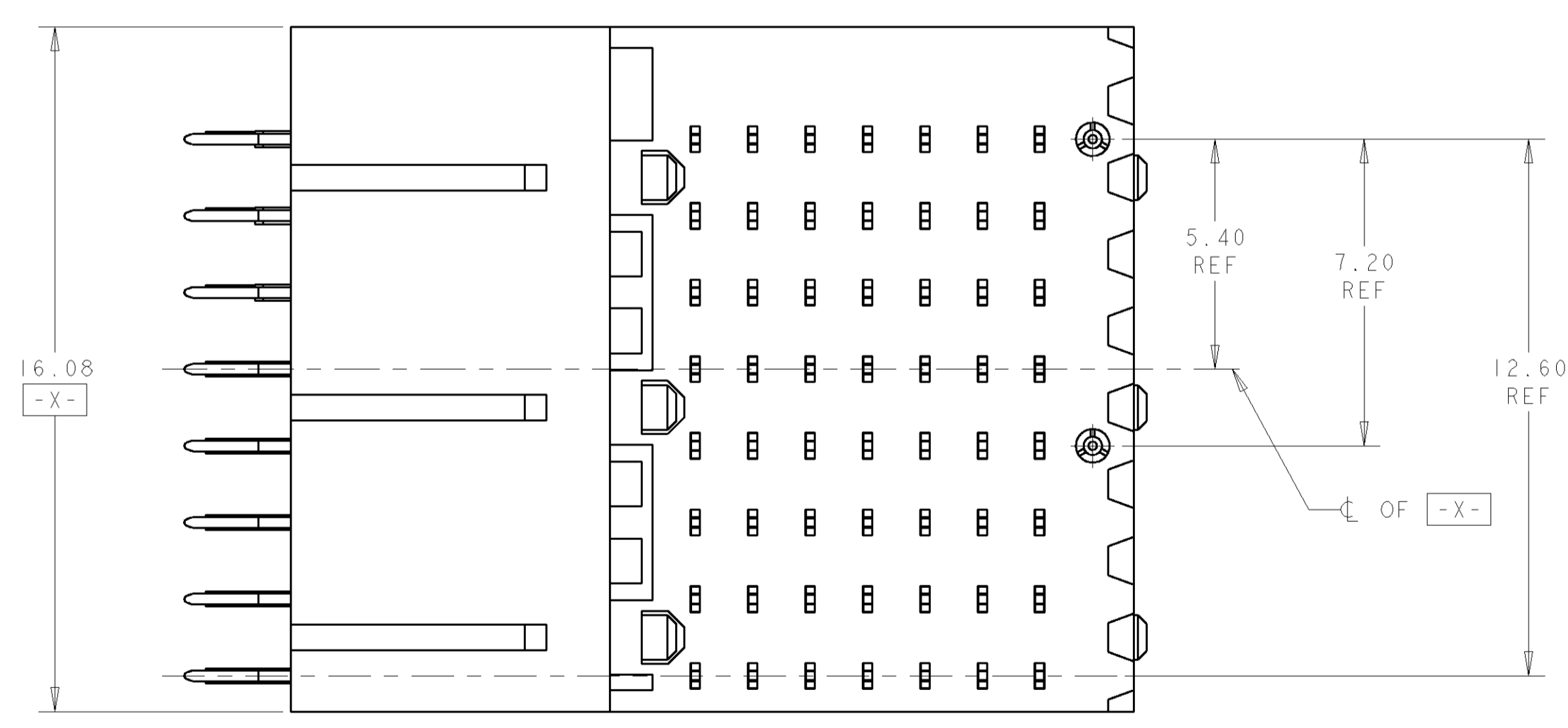
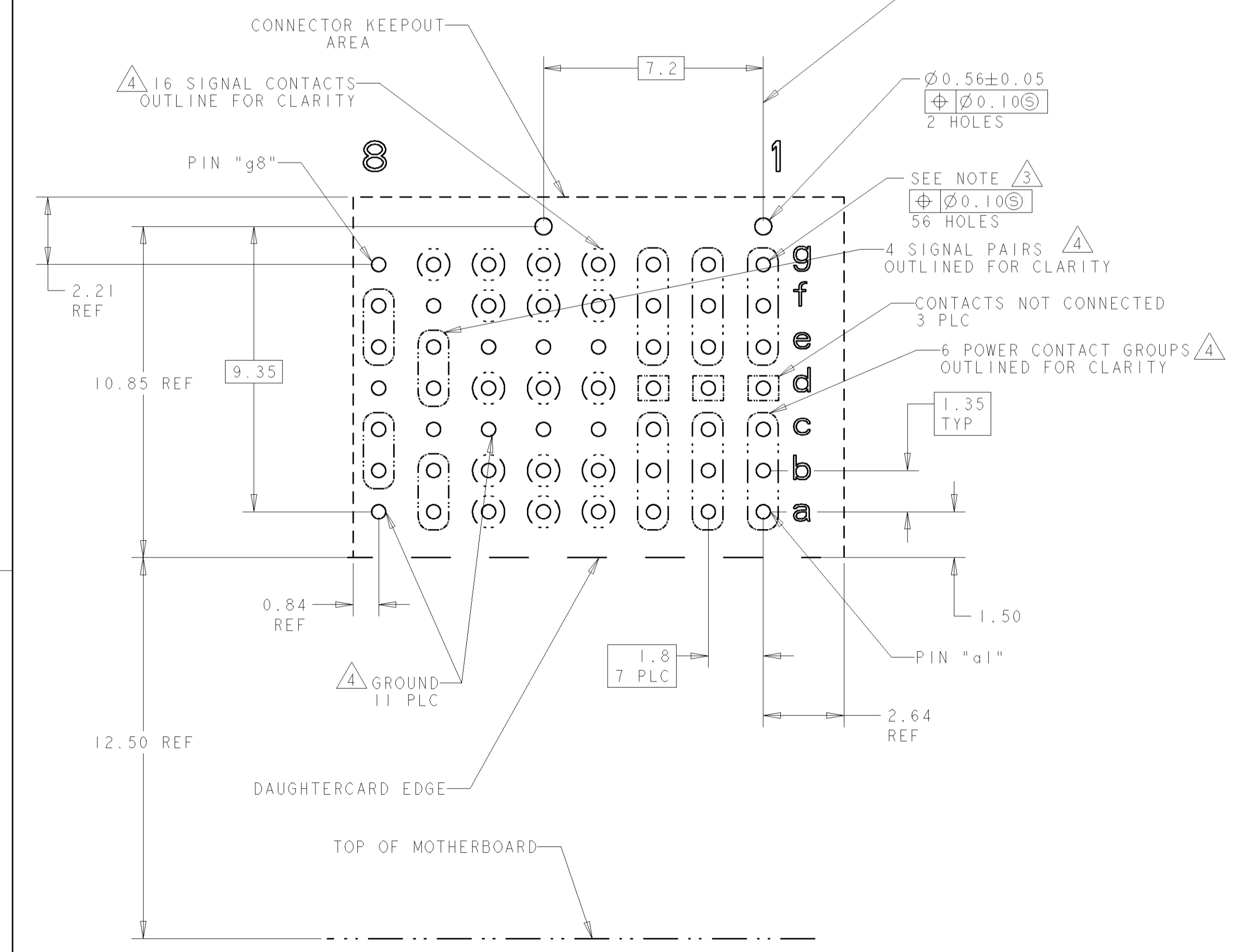
TYPICAL INTERCONNECTIONS FOR COLUMN (WAFER): 7		
CONTACT USAGE	DAUGHTERCARD CONNECTOR PIN	BACKPLANE CONNECTOR PIN
SIGNAL PAIR	ax, bx	ax, bx
SIGNAL PAIR	dx, ex	ex, dx
SIGNAL	ex, fx	fx, ex
SIGNAL	gx, hx	hx, gx
GROUND	cx, fx (ALL COMMONED)	cx, dx, gx, hx

TYPICAL INTERCONNECTIONS FOR EACH COLUMN (WAFER): 4, 5, 6		
CONTACT USAGE	DAUGHTERCARD CONNECTOR PIN	BACKPLANE CONNECTOR PIN
SIGNAL	ax	bx
SIGNAL	bx	cx
SIGNAL	dx	ex
SIGNAL	fx	gx
SIGNAL	gx	hx
GROUND	cx, ex, (ALL COMMONED)	ax, dx, fx, ix

TYPICAL INTERCONNECTIONS FOR EACH COLUMN (WAFER): 1, 2, 3		
CONTACT USAGE	DAUGHTERCARD CONNECTOR PIN	BACKPLANE CONNECTOR PIN
POWER	ax, bx, cx	ax, bx, cx, dx
POWER	ex, fx, gx	fx, gx, hx, ix
NOT CONNECTED	dx	ex

NOTE: "x" DESIGNATES THE COLUMN NUMBER

6	1410189-3
5	1410189-2
2	1410189-1
PLATING	PART NO



PC BOARD LAYOUT (CONNECTOR SIDE)
SCALE: 8:1

DIMENSIONS: mm TOLERANCES UNLESS OTHERWISE SPECIFIED: 0 PLC ± 1 PLC ±0.5 2 PLC ±0.13 3 PLC ± 4 PLC ± ANGLES ±0°		DWN: JLS/PE CHK: JCONSOLI APD: B.GRIFFITH DATE: 13FEB2004 DATE: 13FEB2004 DATE: 14MAR2006	Tyco Electronics Harrisburg, PA 17105-3608
MATERIAL: SEE TABLE FINISH: SEE TABLE		PRODUCT SPEC: 108-2072 APPLICATION SPEC: 114-13056 WEIGHT: - CUSTOMER DRAWING	NAME: RIGHT-ANGLE PLUG ASSEMBLY, 7 ROW, HALF LEFT END, 20.3mm, MultiGig RT2, DAUGHTERCARD CONNECTOR, VITA 46 SIZE: 00779 CAGE CODE: 1410189 SHEET: 1 OF 1 REV: A